

AIRO[®]

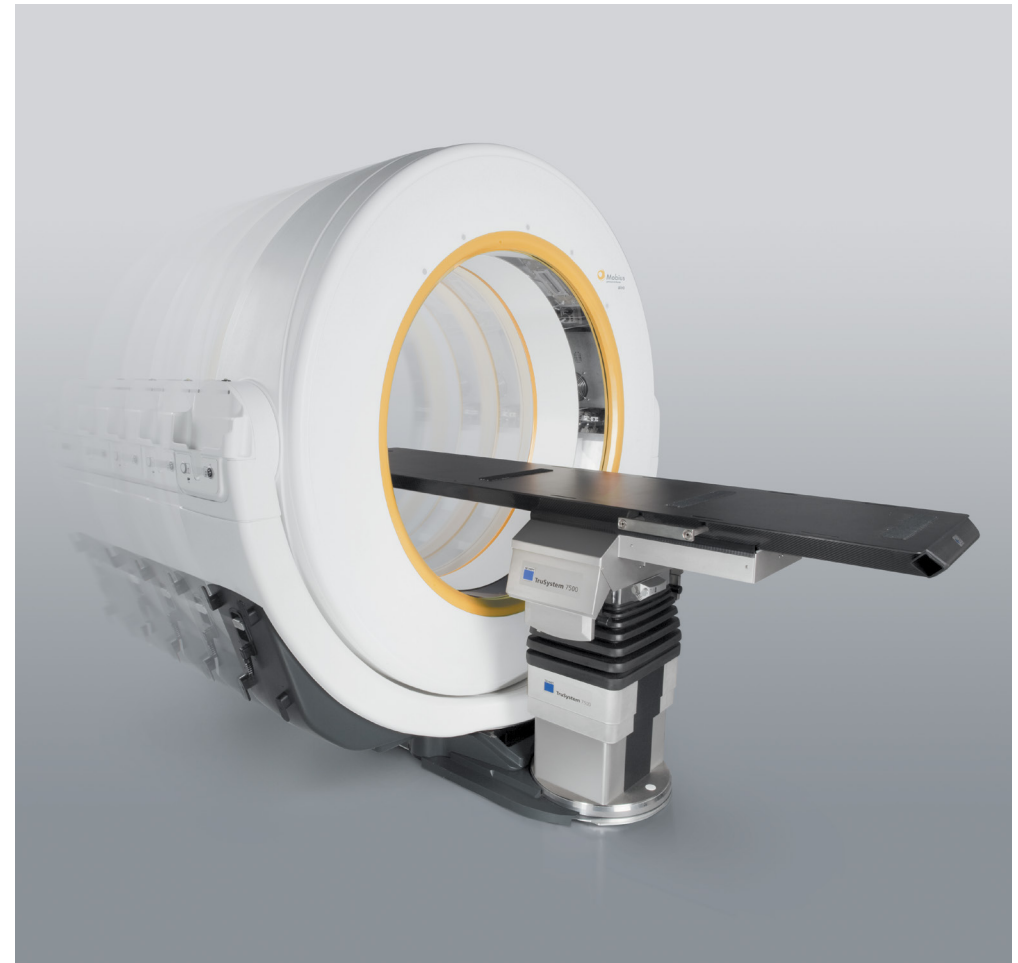
Mobile Intraoperative CT

GO CRAZY

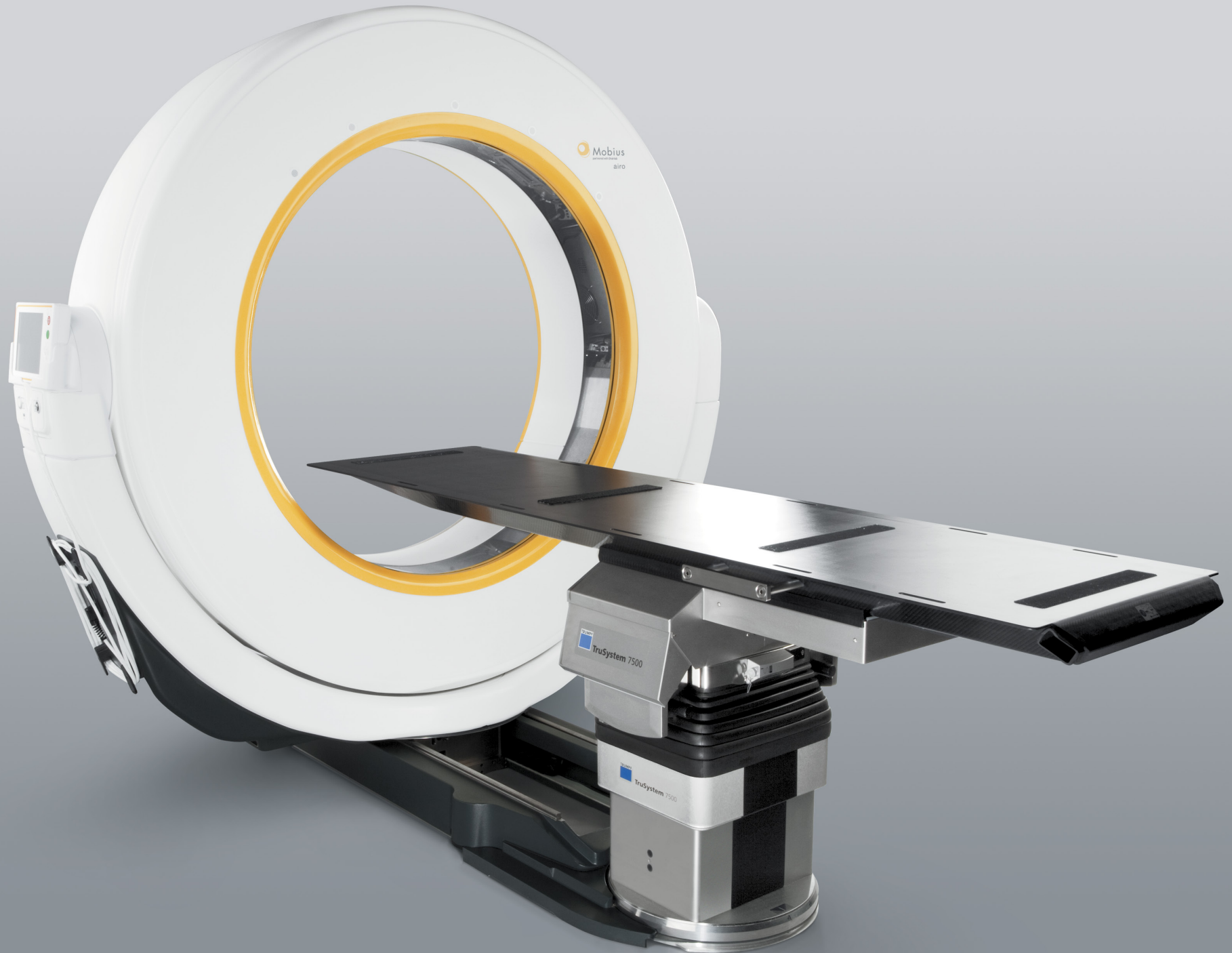
...ELIMINATING CONSTRAINTS

Designed to function inside existing O.R. suites, Airo boasts an ultra-small footprint, effectively eliminating the need for construction or custom build-outs.* A cohesive imaging, patient positioning and navigation solution, Airo is ideal for cranial, spine and trauma procedures, making it a highly versatile intraoperative imaging system. High CT image quality increases surgeon confidence and supports advanced minimally invasive surgery.

Get resolution with Airo.



*Depending on local standards, expected utilization and structural conditions of the building.



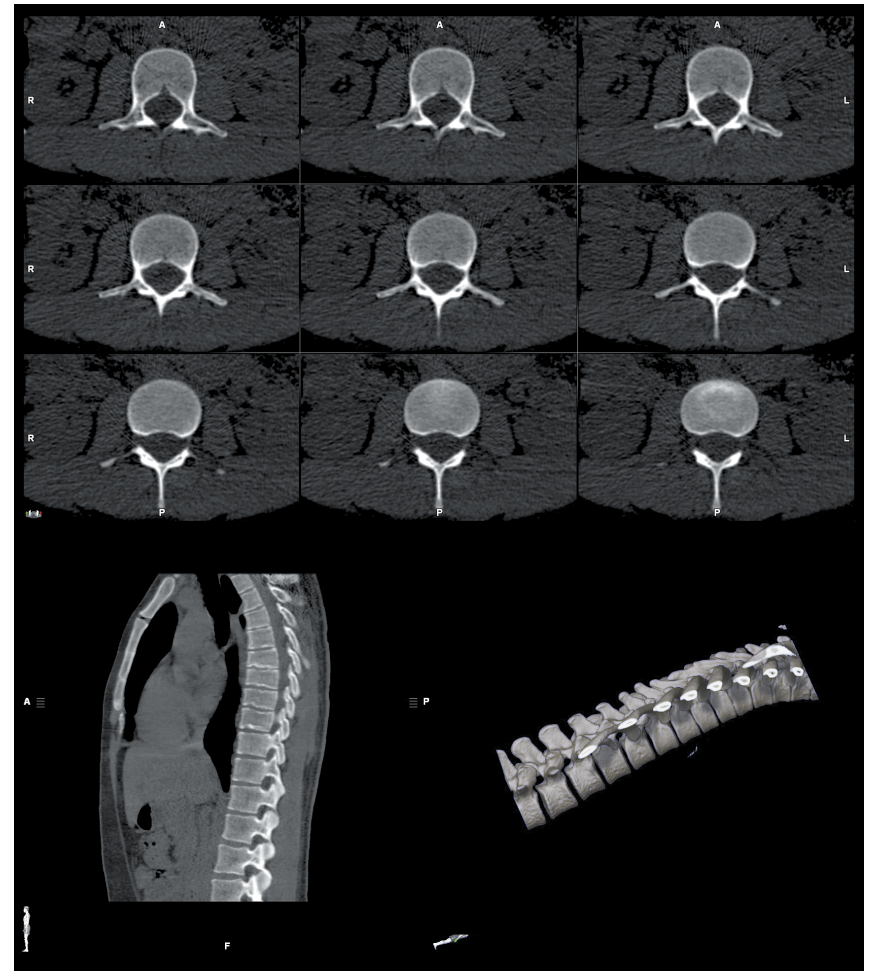
GO BEYOND

...CONE-BEAM 3D IMAGING

Airo provides full Hounsfield soft tissue imaging that offers better definition for the spine. This expands clinical decision-making for cranial and other surgical procedures as well.

The scan volume of D 50 x 100cm allows surgeons to image the entire spine in a single scan and to visualize more anatomical context than 3D C-arms.

Get clarity with Airo.



GO FURTHER

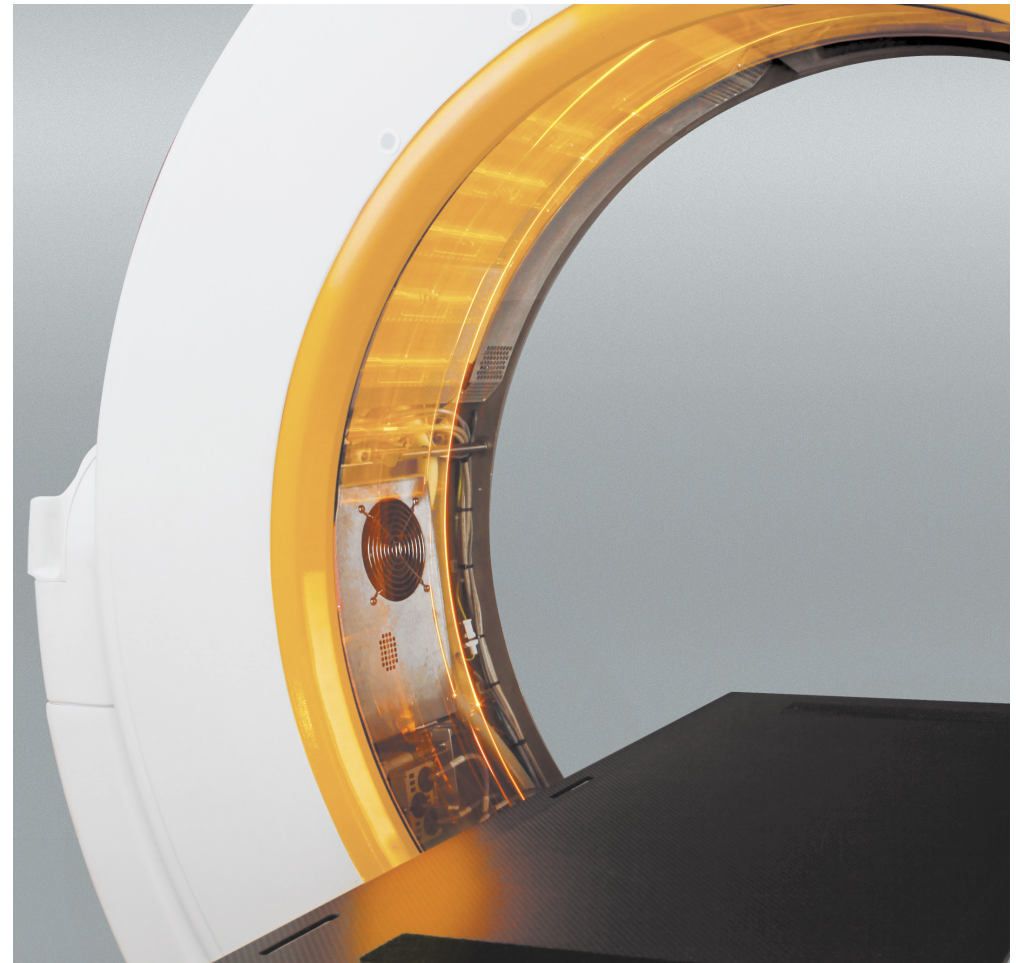
...THAN TODAY'S TECHNICAL SPECIFICATIONS

Innovative design intelligently combines the largest gantry opening on the market with a slim gantry and small footprint. The gantry houses custom components including an X-Ray tube, 32-slice helical scan detector array, high-voltage generator, air-cooling system and built-in battery pack.

Total integration of the TRUMPF TruSystem 7500 table column offers fixed correlation between patient and scanner resulting in reproducible imaging. The TRUMPF TruSystem 7500 offers all the radiolucent accessories and capabilities affiliated with a high-end established surgical table system.

Get disruptive technology with Airo.

- Extra-large gantry opening (107cm)
- Extra-slim gantry (30.5cm x 38cm)
- Extra-small footprint (1.5 m²)



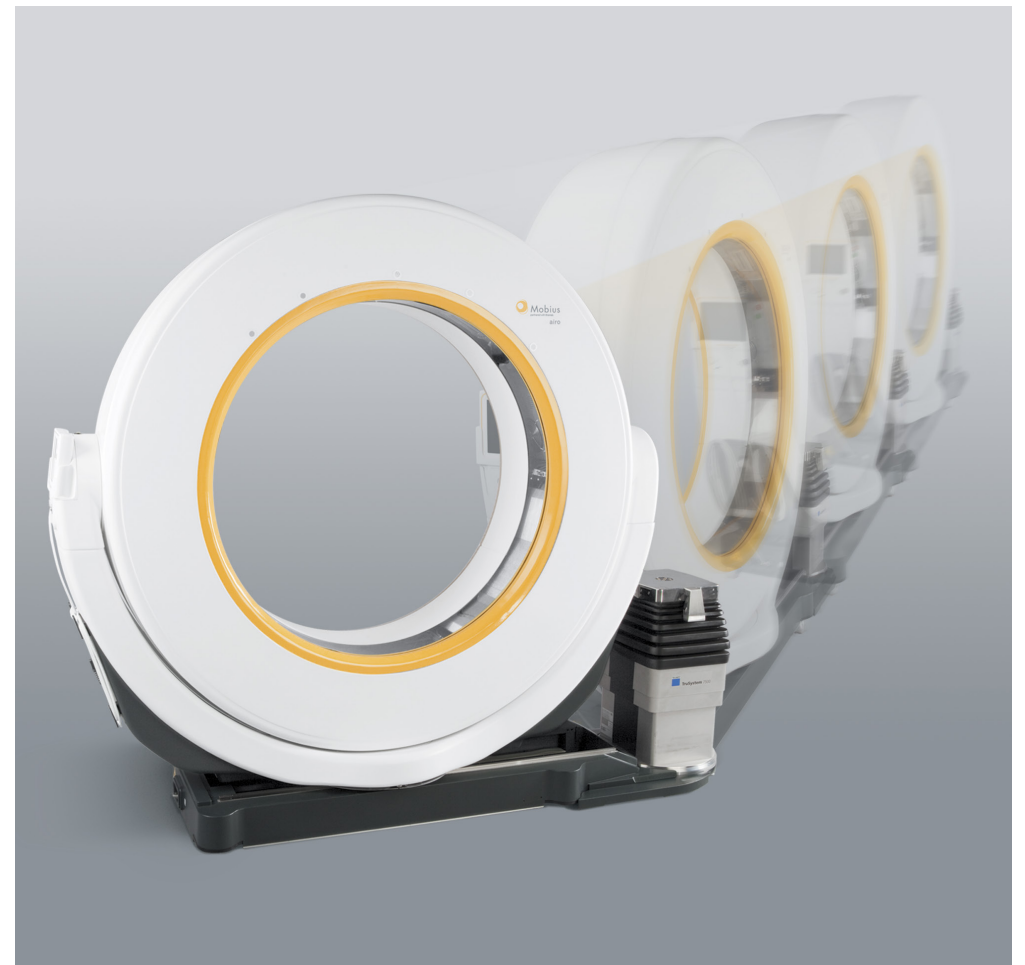
GO ANYWHERE

...EVEN THROUGH STANDARD O.R. DOORS

Suspension-controlled, the Airo electrical drive system features a solo central wheel for compact maneuvering.

Equipped with user-friendly control software, even one person can easily move Airo from O.R. to O.R. The front-view safety camera ensures stress-free portability.

Get moving with Airo.



GO INDEPENDENT

...WITH HANDHELD SYSTEM CONTROL

The compact Airo system pendant controls everything. During procedures, surgeons and staff program imaging with laser alignment and dose display from the detachable and user-friendly Airo touch screen.

Movement and maintenance are also swift and steady with the Airo handheld system controller commanding transport, daily calibration and system maintenance.

Get control with Airo.



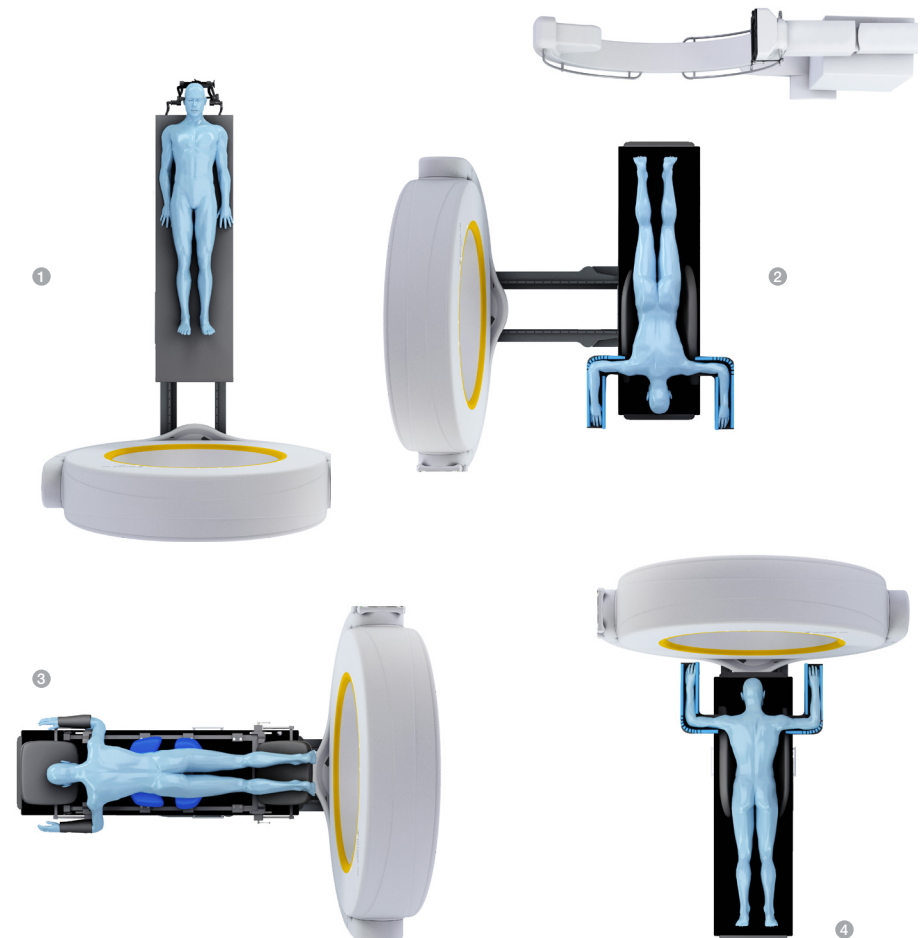
GO VERSATILE

...WITH SURGICAL SETUP

Fully adaptable, Airo moves into a variety of procedural setups for cranial, spine and trauma cases.

The extra-large gantry opening expands intraoperative surgical value and even accommodates spinal positioning frames.

- 1 Cranial prone, supine and sitting positions
- 2 Spinal setup combined with C-arm
- 3 Spinal positioning frames supported
- 4 Spinal prone and lateral positions



GO AHEAD

...LEVERAGE INTRAOPERATIVE IMAGES

Communication between Airo and Curve™ makes connection to Brainlab image guided surgery systems swift, image transfer automatic, and the merging of pre- and intraoperative scans a snap.

Get connected with Airo.





© Copyright 2014 Brainlab AG. All rights reserved. IOR-BR-E-Airo-0612-Rev3
® Registered trademark of Brainlab AG in Germany and/or the US. ™ Trademark of Brainlab AG in Germany and/or the US.